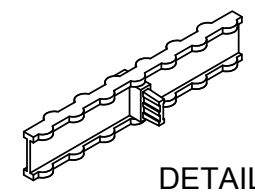
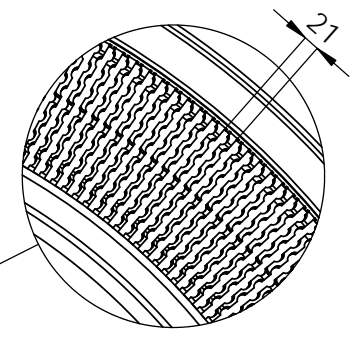
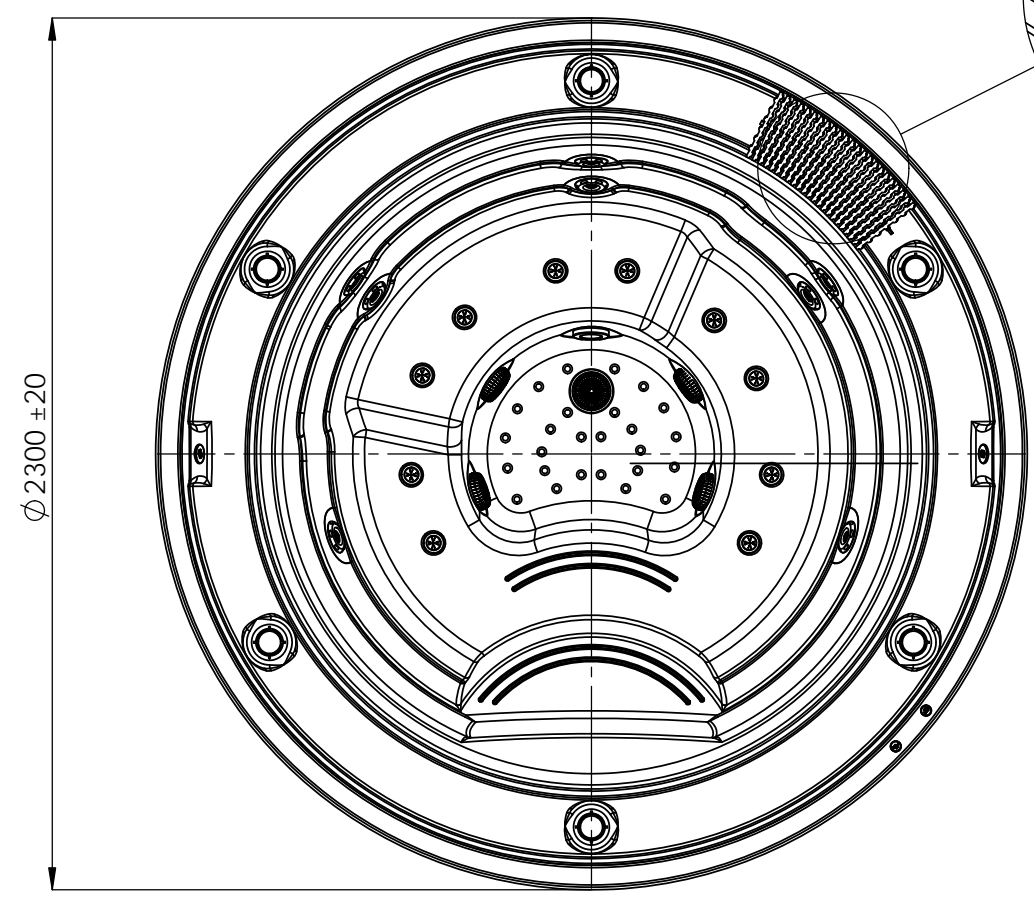
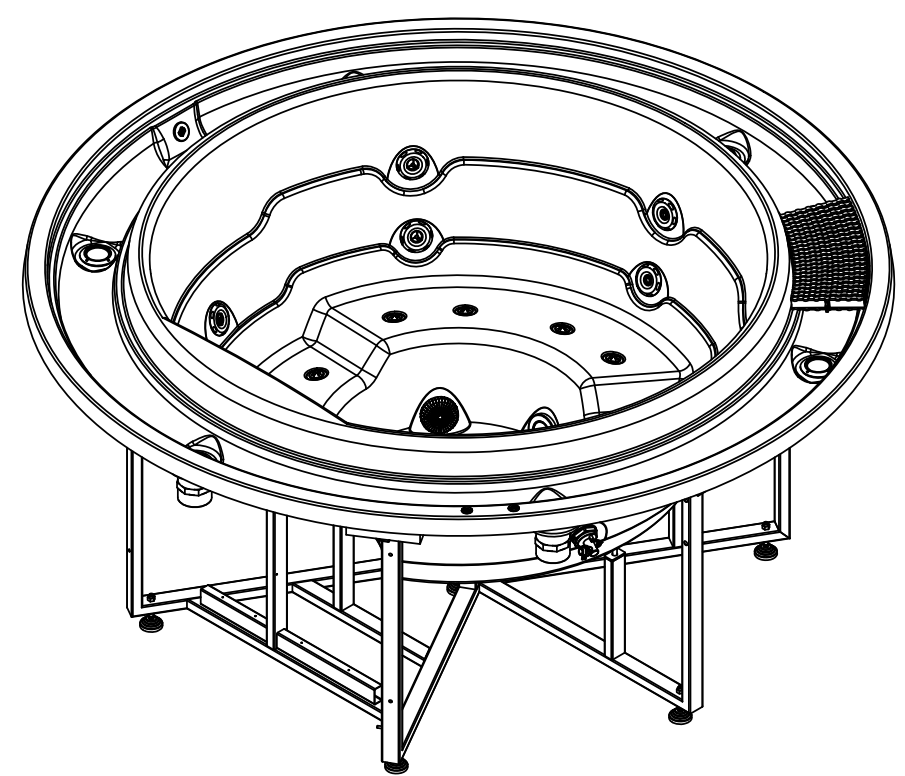
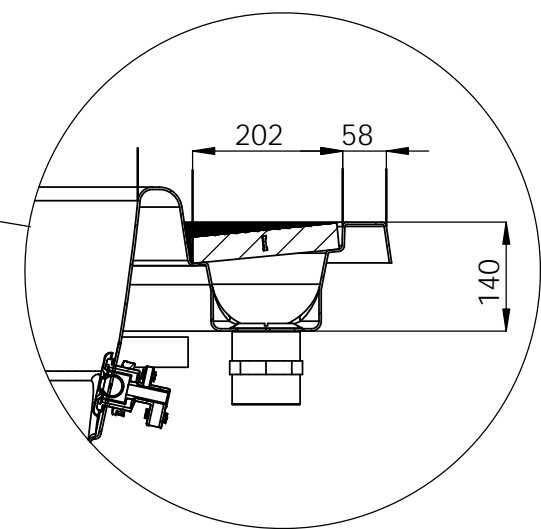
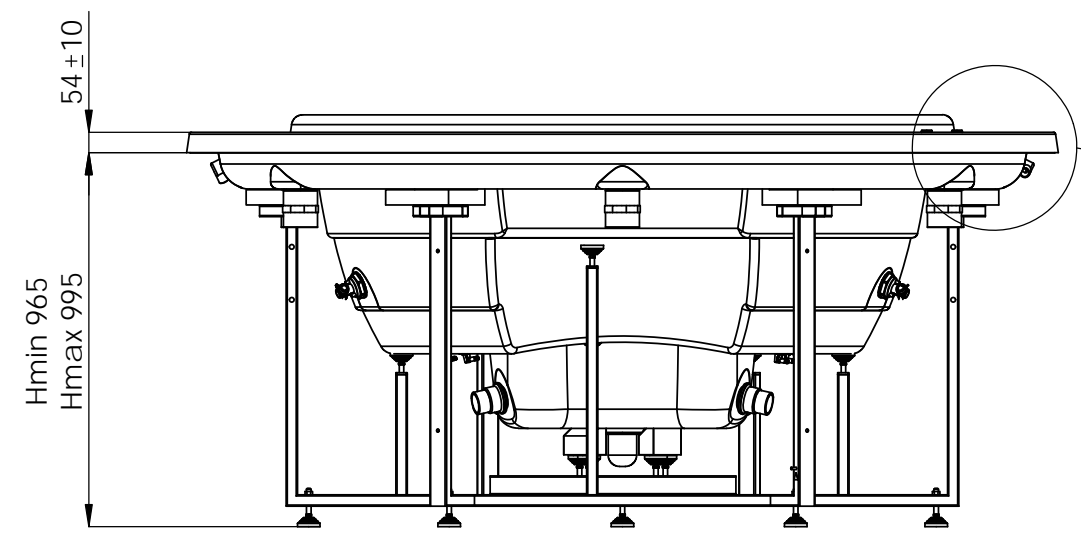


General specifications	
Spa weight (dry)	175 Kg
Spa weight (filled)	1295 Kg
Package dimension	1200x2420x2480mm
Package weight	266 Kg




DETAIL GRID
SCALE 1:10

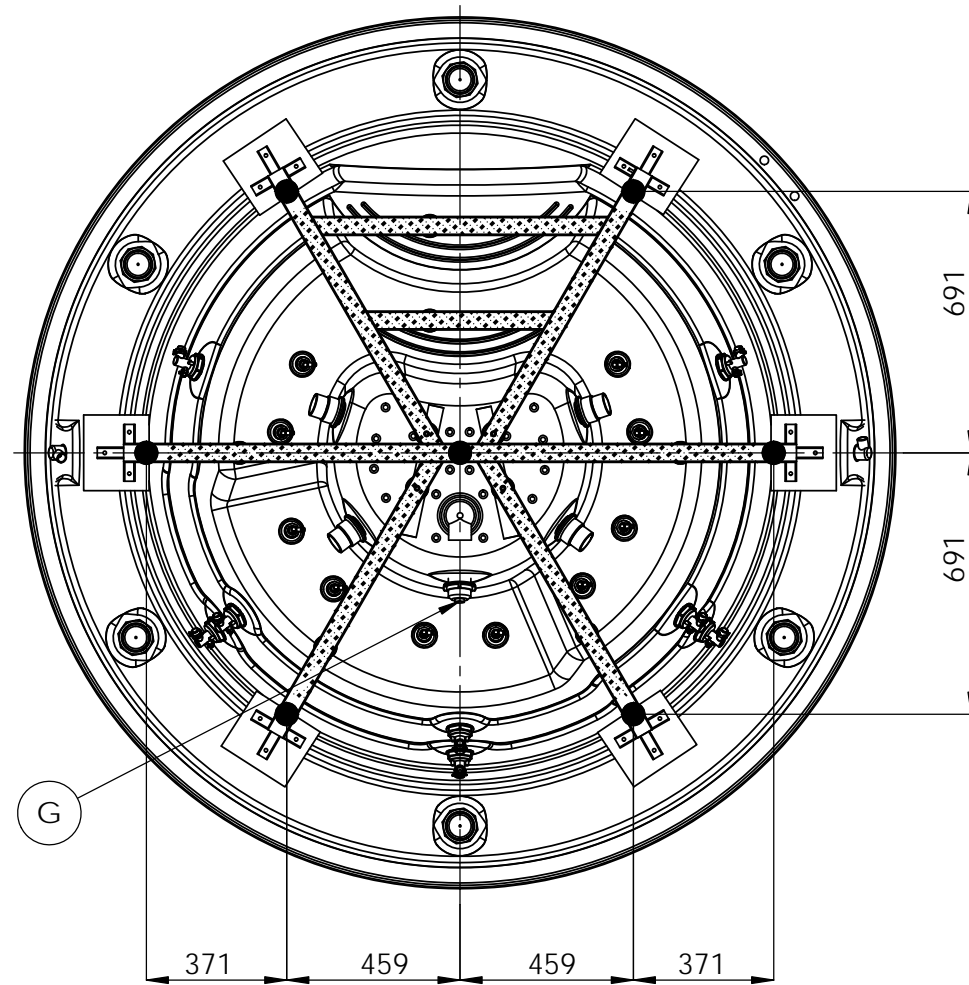
VALID FROM 15/01/2016

According to our policy of continuous improvement, dimensions, features or components of this product can be partially or completely changed without prior notice. It's Customer responsibility to verify that this is the last version of the drawing

Change No.	Date	Name	Modification
07	19/02/2016	I.Pozo	Change light and drain
06	18/03/14	I.Pozo	New Templates
05	17/09/13	X.Codina	New Templates
04	22/01/13	I.Pozo	Drawing Updated

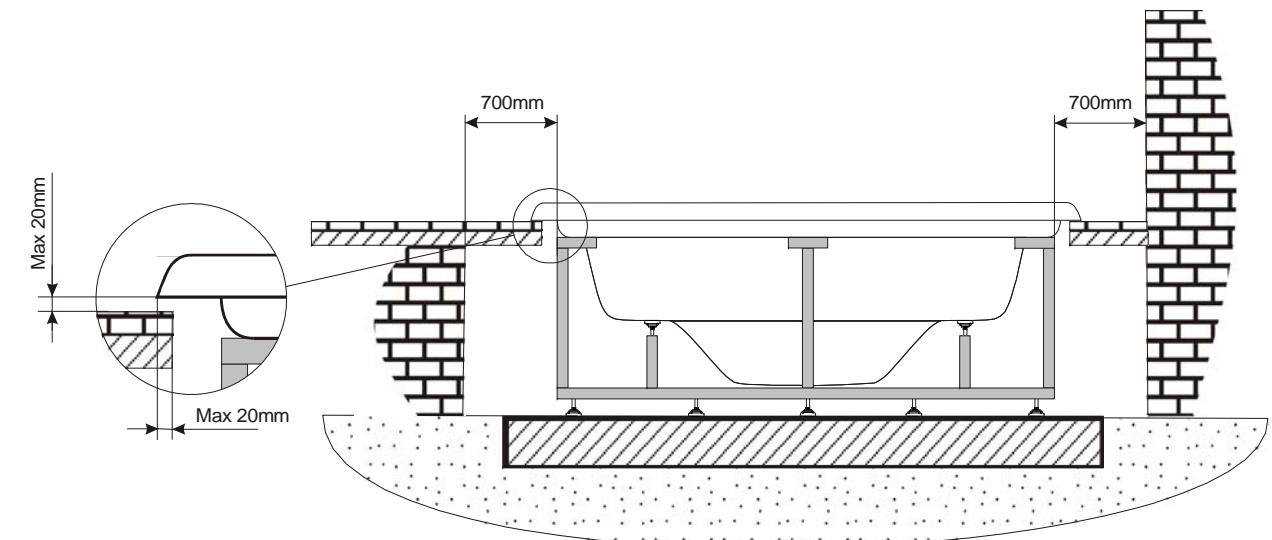
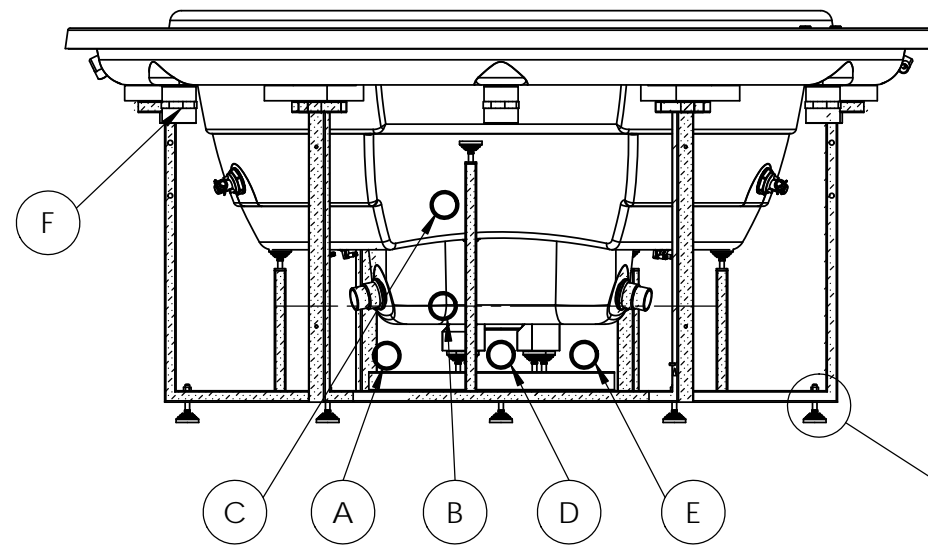
Remarks Dimensions in mm. General Tolerances +/- 10mm			COMMERCIAL		
Drawn	25-05-09	M.Baraut		Part Number	Rev.
Checked	25-05-09	A.Deu		45215	07
Scale 1:20	General Tolerance DIN 7168 ISO 2768g				First Angle Projection
Sheet 1/3					

A	Suction-Water Massage Pump 1	2"BSP FEMALE THREAD
B	Return-Water Massage Pump 1	2"BSP FEMALE THREAD
C	Return-Air Massage	2"BSP FEMALE THREAD
D	Return-Filtration Pump (Bottom Drain)	2"BSP FEMALE THREAD
E	Suction-Filtration Pump	2"BSP FEMALE THREAD
F	Overflow Drains	Ø75 SOLVENT SOCKET
G	Light (Halogen)	1 un.



VALID FROM 15/01/2016

WARNING:
It's essential to keep a minimum clearance access of **700mm** all around.
Minimum depth of spa hole **980 mm**.

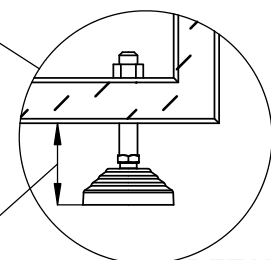


According to our policy of continuous improvement, dimensions, features or components of this product can be partially or completely changed without prior notice.
It's Customer responsibility to verify that this is the last version of the drawing

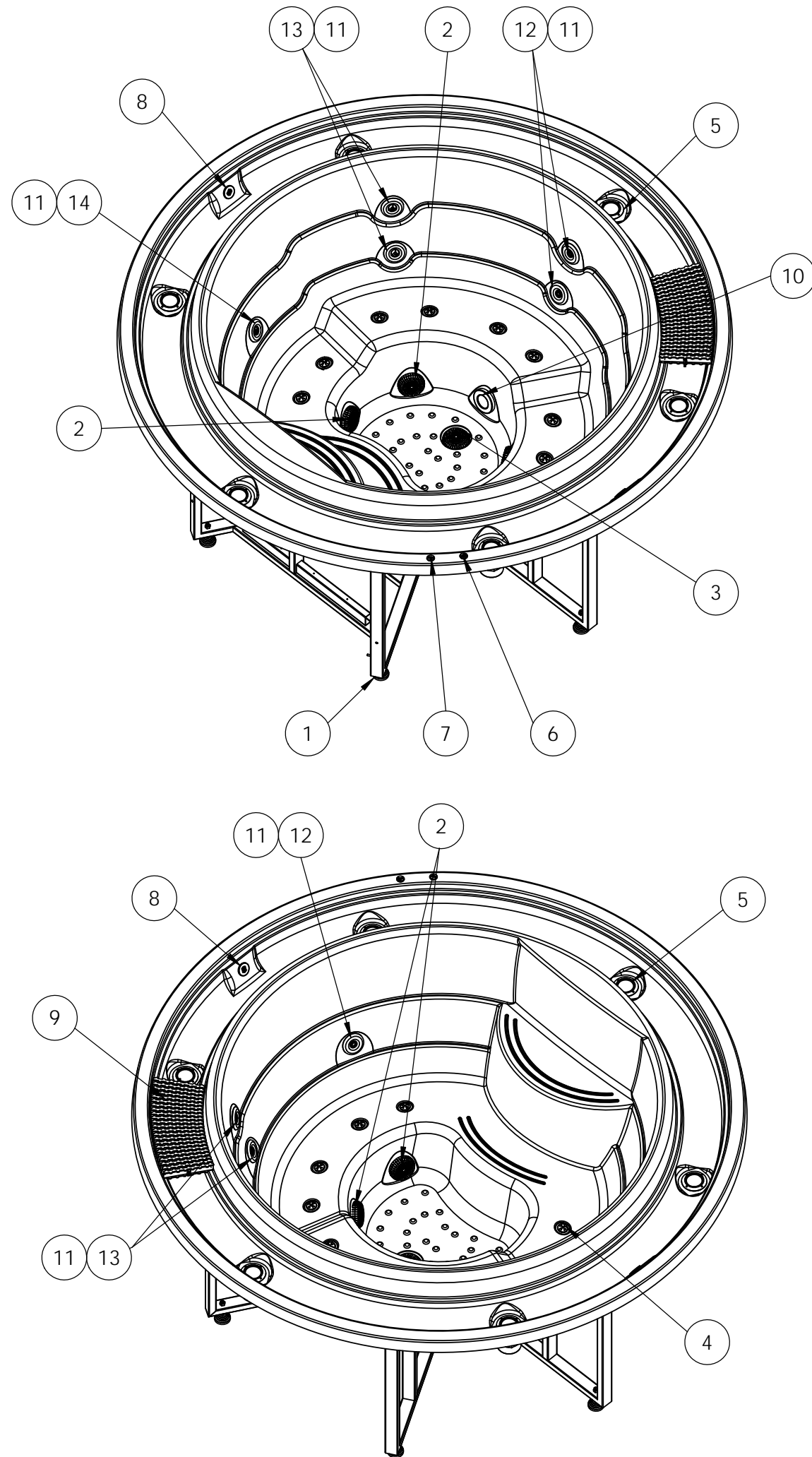
Change No.	Date	Name	Modification
07	19/02/2016	I.Pozo	Change light and drain
06	18/03/14	I.Pozo	New Templates
05	17/09/13	X.Codina	New Templates
04	22/01/13	I.Pozo	Drawing Updated

Remarks Dimensions in mm. General Tolerances +/- 10mm			COMMERCIAL			
Drawn	25-05-09	M.Baraut		Part Number	Rev.	
Checked	25-05-09	A.Deu		45215	07	
Scale 1:20	General Tolerance DIN 7168 ISO 2768g			First Angle Projection		
Sheet 2/3						
<small>Property of IBERSPA S.L. Avda. Pla d'Urgell 2-8 25200 Cervera, Spain. Don't use without permission. Keep this information confidential and use it solely for the permitted purpose.</small>						

Max 60mm
Min 30mm



DETAIL A
SCALE 1:5



STAINLESS STEEL JETS + WHITE LIGHT			
Position Num.	Part Nº SPARE	Description SPARE	Quant.
1	303325R	SPA SUPPORT	7
2	RPOR0223	WHITE SPA DRAIN 2" ADAPTOR SOCKET D.50	4
3	RPOR0224	WHITE SPA DRAIN 2" ADAPTOR ELBOW 90 D.50	1
4	REMP0046	WHITE-STAINLESS STEEL AIR NOZZLE	10
5	REMP0051	WHITE SPA DRAIN 2 1/2'	6
6	REMP0034	DIGITAL BUTTON IP68 ALUM. AIR	1
7	REMP0033	DIGITAL BUTTON IP68 ALUM. WATER	1
8	RPOR0003	GREY DRAIN SET - BODY+COVER+ASSEMBLY	2
9	REMP0032	DIN CURVED GRATING WIDTH 195 mm	334
10	RCOM0071	HIGH INTENSITY WHITE LED SPOTLIGHTS + STAINLESS STEEL ESCUTCHEON SPOTLIGHT	1
11	RPOR0236	JET BODY SET RD 3"	8
12	RPOR0231	FRONTAL JET 3" STAINLESS STEEL DIRECTIONAL	3
13	RPOR0232	FRONTAL JET 3" STAINLESS STEEL 1 JET ROTO	4
14	RPOR0233	FRONTAL JET 3" STAINLESS STEEL TWIN ROTO	1


WHITE JETS + WHITE LIGHT			
Position Num.	Part Nº SPARE	Description SPARE	Quant.
1	303325R	SPA SUPPORT	7
2	RPOR0223	WHITE SPA DRAIN 2" ADAPTOR SOCKET D.50	4
3	RPOR0224	WHITE SPA DRAIN 2" ADAPTOR ELBOW 90 D.50	1
4	REMP0029	KIT STORM AIR NOZZLE	10
5	REMP0051	WHITE SPA DRAIN 2 1/2'	6
6	REMP0034	DIGITAL BUTTON IP68 ALUM. AIR	1
7	REMP0033	DIGITAL BUTTON IP68 ALUM. WATER	1
8	RPOR0003	GREY DRAIN SET - BODY+COVER+ASSEMBLY	2
9	REMP0032	DIN CURVED GRATING WIDTH 195 mm	334
10	RCOM0070	HIGH INTENSITY WHITE LED SPOTLIGHTS + WHITE ESCUTCHEON SPOTLIGHT	1
11	RPOR0236	JET BODY SET RD 3"	8
12	REMP0058	FRONTAL JET DIRECCIONAL 3"	3
13	REMP0059	FRONTAL JET ROT 1 CHORRO 3"	4
14	REMP0060	FRONTAL JET ROT 2 CHORRO 3"	1

STAINLESS STEEL JETS + COLOUR LIGHT			
Position Num.	Part Nº SPARE	Description SPARE	Quant.
1	303325R	SPA SUPPORT	7
2	RPOR0223	WHITE SPA DRAIN 2" ADAPTOR SOCKET D.50	4
3	RPOR0224	WHITE SPA DRAIN 2" ADAPTOR ELBOW 90 D.50	1
4	REMP0046	WHITE-STAINLESS STEEL AIR NOZZLE	10
5	REMP0051	WHITE SPA DRAIN 2 1/2'	6
6	REMP0034	DIGITAL BUTTON IP68 ALUM. AIR	1
7	REMP0033	DIGITAL BUTTON IP68 ALUM. WATER	1
8	RPOR0003	GREY DRAIN SET - BODY+COVER+ASSEMBLY	2
9	REMP0032	DIN CURVED GRATING WIDTH 195 mm	334
10	RCOM0063	HIGH INTENSITY COLOURS LED SPOTLIGHTS + STEEL ESCUTCHEON SPOTLIGHT	1
11	RPOR0236	JET BODY SET RD 3"	8
12	RPOR0231	FRONTAL JET 3" STAINLESS STEEL DIRECTIONAL	3
13	RPOR0232	FRONTAL JET 3" STAINLESS STEEL 1 JET ROTO	4
14	RPOR0233	FRONTAL JET 3" STAINLESS STEEL TWIN ROTO	1

WHITE JETS + COLOUR LIGHT			
Position Num.	Part Nº SPARE	Description SPARE	Quant.
1	303325R	SPA SUPPORT	7
2	RPOR0223	WHITE SPA DRAIN 2" ADAPTOR SOCKET D.50	4
3	RPOR0224	WHITE SPA DRAIN 2" ADAPTOR ELBOW 90 D.50	1
4	REMP0029	KIT STORM AIR NOZZLE	10
5	REMP0051	WHITE SPA DRAIN 2 1/2'	6
6	REMP0034	DIGITAL BUTTON IP68 ALUM. AIR	1
7	REMP0033	DIGITAL BUTTON IP68 ALUM. WATER	1
8	RPOR0003	GREY DRAIN SET - BODY+COVER+ASSEMBLY	2
9	REMP0032	DIN CURVED GRATING WIDTH 195 mm	334
10	RCOM0061	HIGH INTENSITY COLOURS LED SPOTLIGHTS + WITHE ESCUTCHEON SPOTLIGHT	1
11	RPOR0236	JET BODY SET RD 3"	8
12	REMP0058	FRONTAL JET DIRECCIONAL 3"	3
13	REMP0059	FRONTAL JET ROT 1 CHORRO 3"	4
14	REMP0060	FRONTAL JET ROT 2 CHORRO 3"	1

VALID FROM 15/01/2016

According to our policy of continuous improvement, dimensions, features or components of this product can be partially or completely changed without prior notice. It's Customer responsibility to verify that this is the last version of the drawing

07	19/02/2016	I.Pozo	Change light and drain
06	18/03/14	I.Pozo	New Templates
05	17/09/13	X.Codina	New Templates
04	22/01/13	I.Pozo	Drawing Updated
Change No.	Date	Name	Modification
Remarks			SPARE DRAWING
Dimensions in mm. General Tolerances +/- 10mm			
Drawn	25-05-09	M.Baraut	
Checked	25-05-09	A.Deu	
Scale 1:20	General Tolerance		
Sheet 3/3	DIN 7168 ISO 2768g		
			Part Number
			45215
			Rev.
			07
			First Angle Projection
			